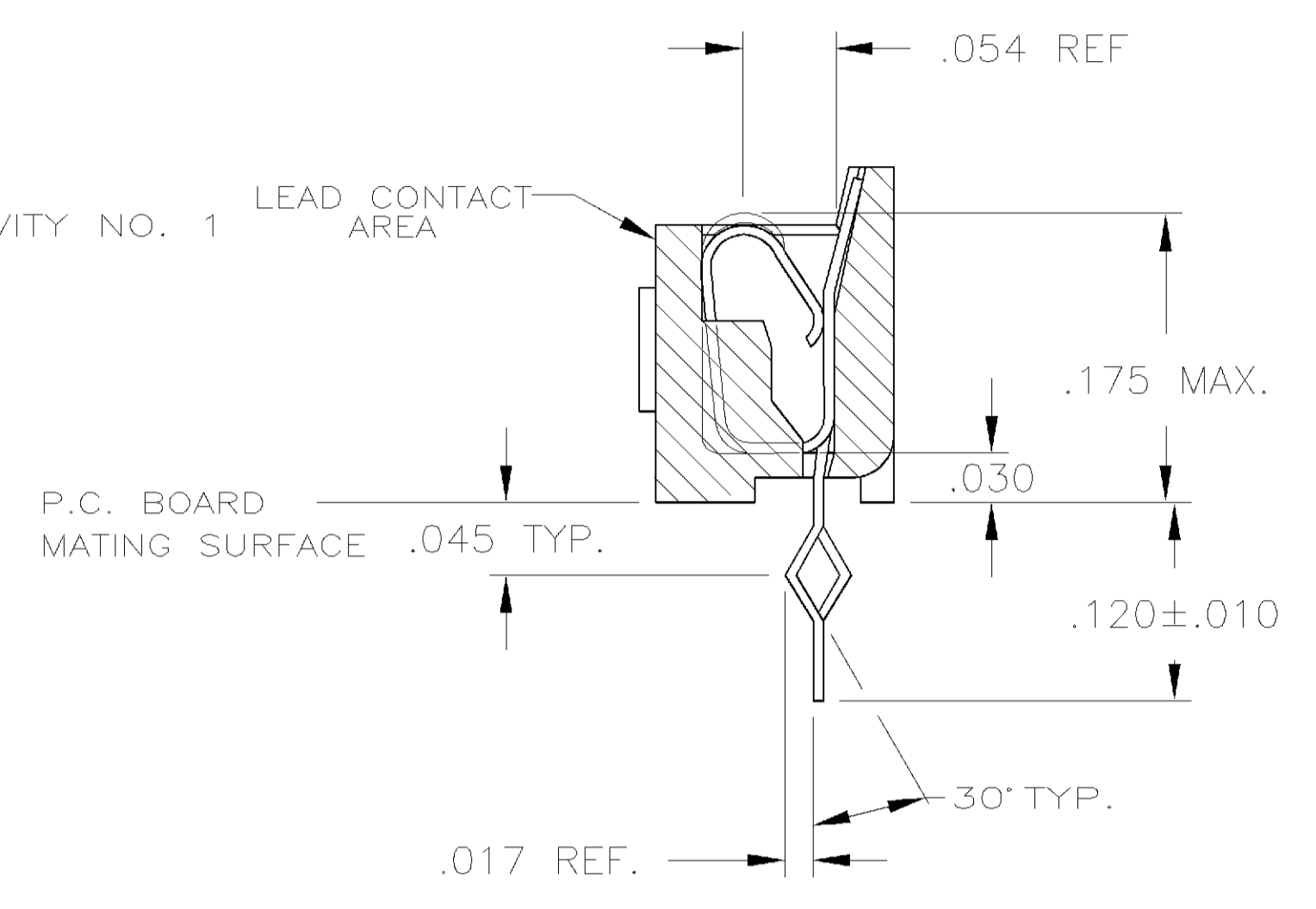
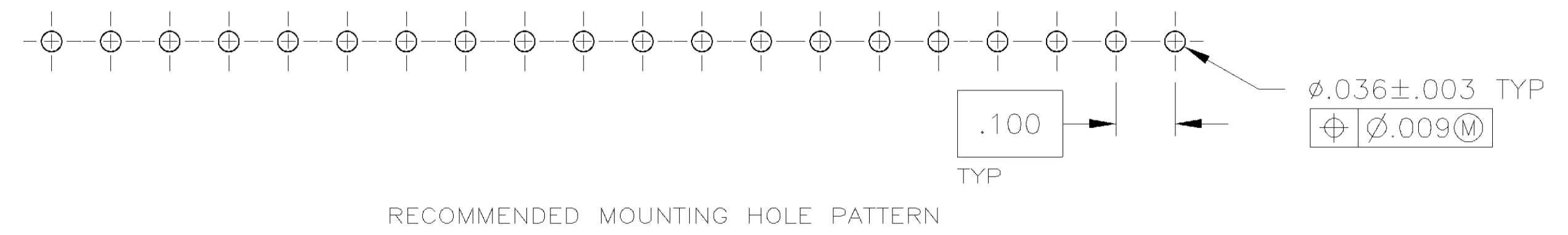
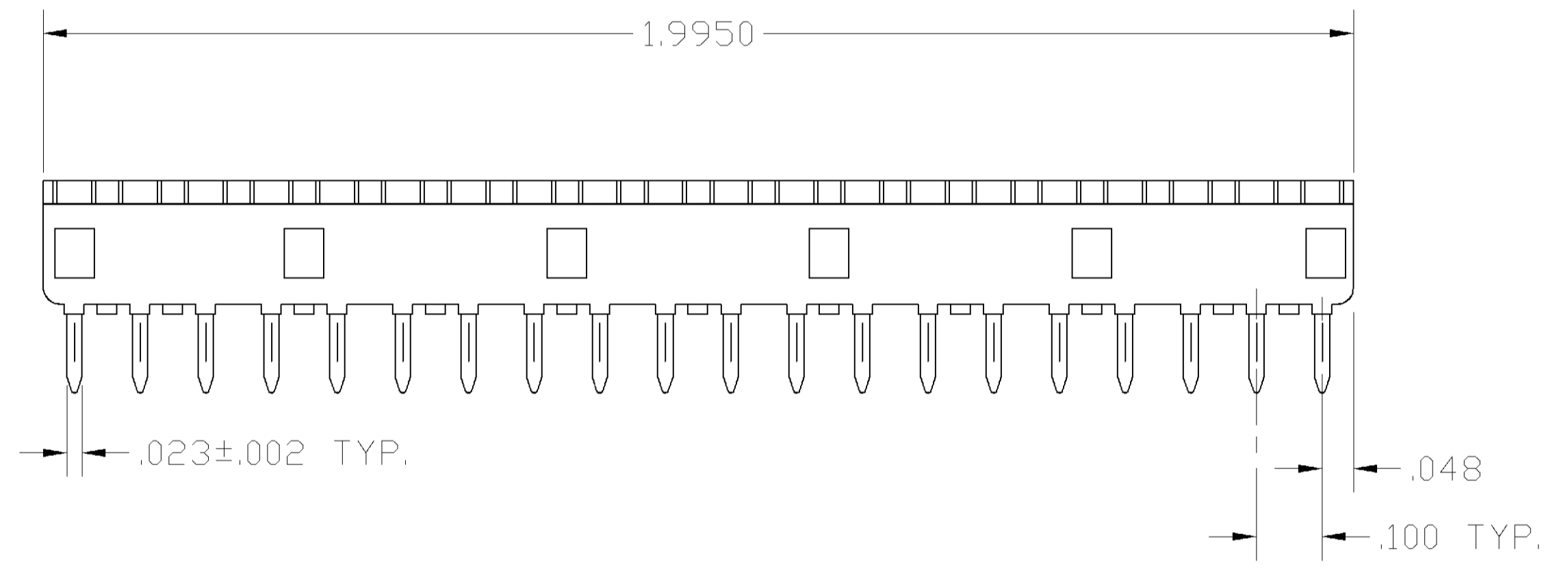
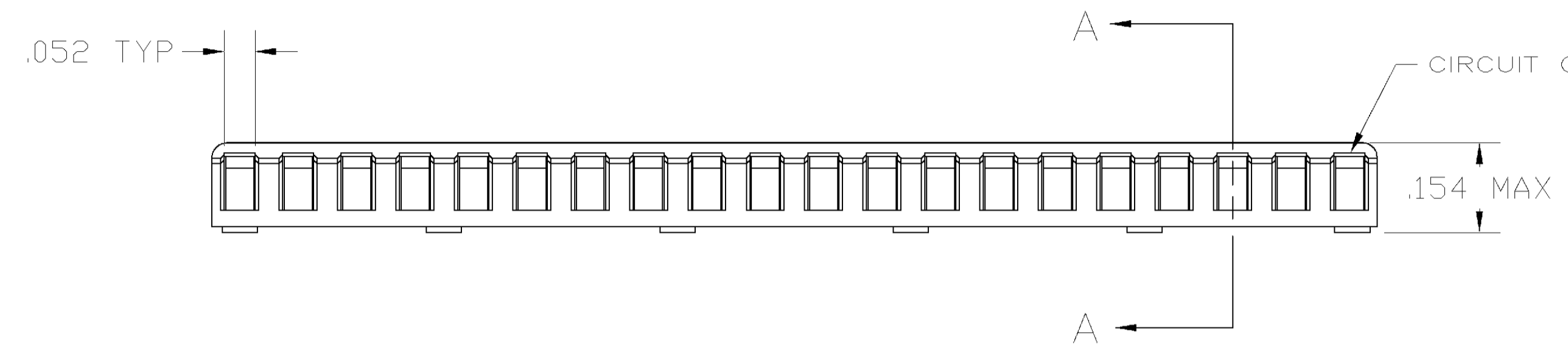
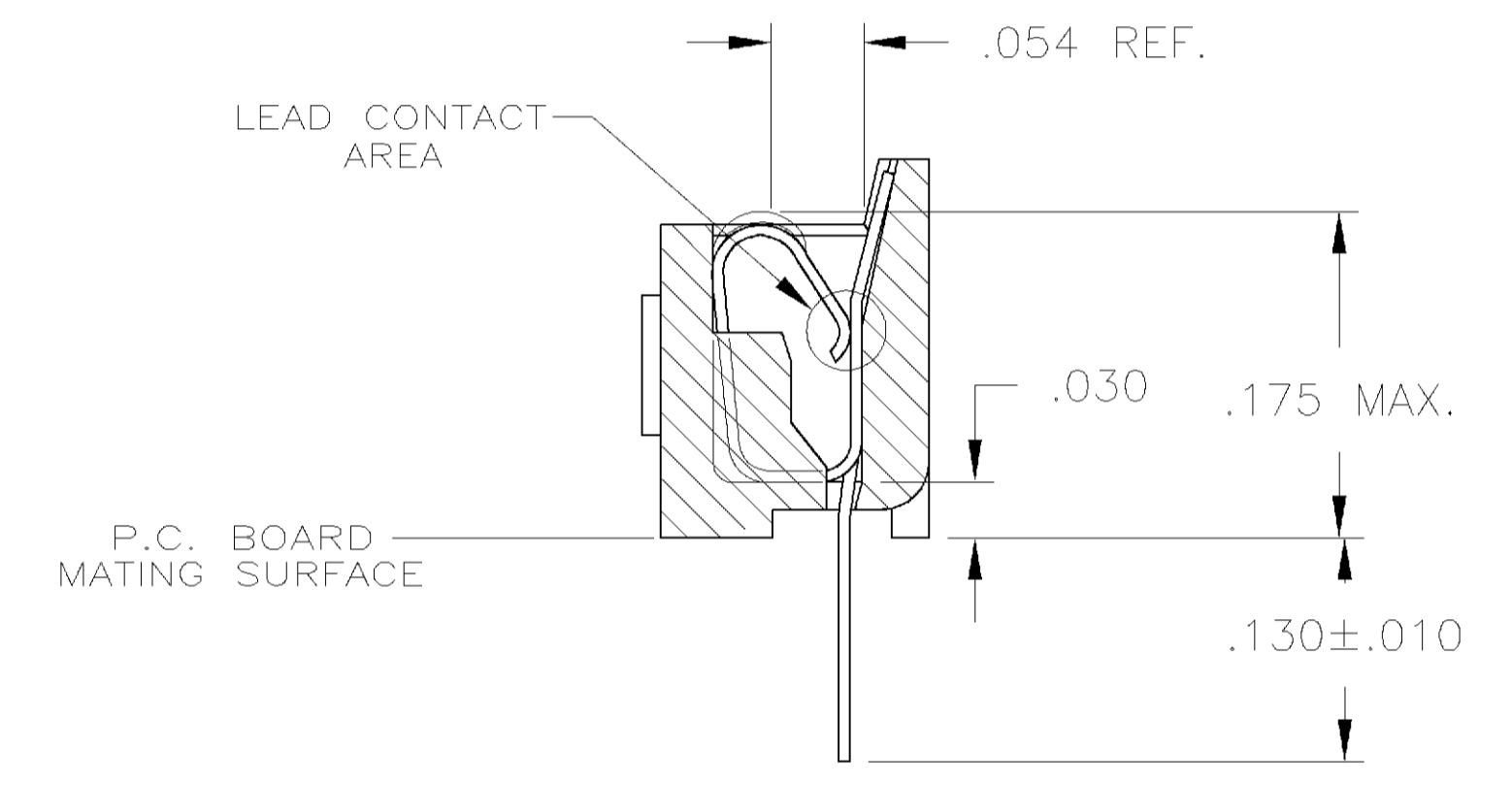
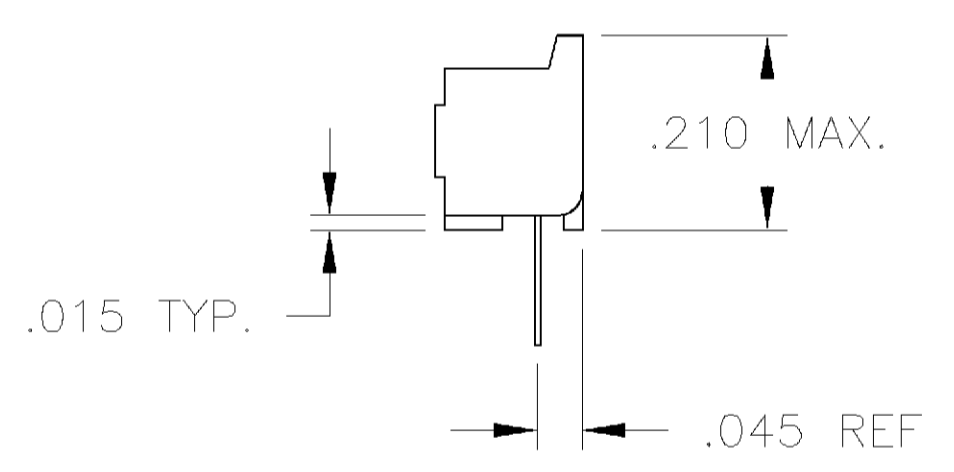


LOC		DIST		REVISIONS			
P	LTR	DESCRIPTION	DATE	OWN	APVD		
L		REV PER 0G3C-0104-01	05SEP01	RB	JO		



SECTION A-A  
 ROTATED 90° CW  
 SCALE 10:1  
 FOR -6, -7 & -8 ONLY



SECTION A-A  
 ROTATED 90° CW  
 SCALE 10:1  
 FOR -1, -2 & -3 ONLY

1. RECEPTACLE ACCEPTS AN .008-.014 THK. I.C. LEAD.
2. TWO .000030 MIN. THK. GOLD STRIPES IN CONTACT AREA, TIN-LEAD(93-7) ON CONTACT LEGS, BALANCE OF CONTACT NICKEL PLATED.
3. TWO .000015 MIN. THK. GOLD STRIPES IN CONTACT AREA, TIN-LEAD(93-7) ON CONTACT LEGS, BALANCE OF CONTACT NICKEL PLATED.
4. TUBE LOADED.

CONTACT FINISH	CONTACT MAT'L	HOUSING MATERIAL	PART NO.
OBsolete	TINNED	PHOS.BRZ.	GLASS-FILLED THERMOPLASTIC, 94V-0, BLACK
OBsolete	TINNED	PHOS.BRZ.	GLASS-FILLED THERMOPLASTIC, 94V-0, BLACK
	3	BE.CU.	GLASS-FILLED THERMOPLASTIC, 94V-0, BLACK
	2	BE.CU.	GLASS-FILLED THERMOPLASTIC, 94V-0, BLACK
SUPSD BY 643652-2	1	PHOS.BRZ.	GLASS-FILLED THERMOPLASTIC, 94V-0, BLACK
	4	PHOS.BRZ.	GLASS-FILLED THERMOPLASTIC, 94V-0, BLACK
OBsolete	3	PHOS.BRZ.	GLASS-FILLED THERMOPLASTIC, 94V-0, BLACK
	2	BE.CU.	GLASS-FILLED THERMOPLASTIC, 94V-0, BLACK
	1	BE.CU.	GLASS-FILLED THERMOPLASTIC, 94V-0, BLACK

THIS DRAWING IS A CONTROLLED DOCUMENT.

DIMENSIONS: INCHES	TOLERANCES UNLESS OTHERWISE SPECIFIED:	DWN: M. CYRUS 6-1-84	AMP Tyco Electronics Corporation Harrisburg, PA 17105
0 PLC ± -	1 PLC ± -	CHK: N. JONES 7-3-84	NAME: SOCKET ASSY, SIP, 20 POS, DIPLOMATE DL
2 PLC ± -	3 PLC ± .005	APVD: J. GRAY 7-10-84	PRODUCT SPEC: 108-1066
4 PLC ± -	ANGLES ± -		APPLICATION SPEC: 114-1049
MATERIAL: SEE TABLE	FINISH: SEE TABLE	WEIGHT: -	SIZE: A1 00779 C-643652
		CUSTOMER DRAWING	SCALE: 5:1 SHEET: 1 OF 1 REV: L